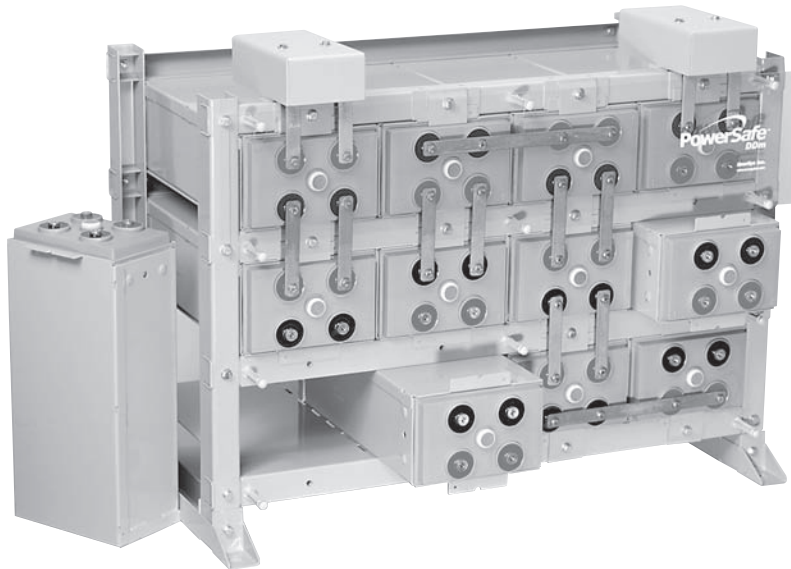


PowerSafe[®]
DDm



**PERFORMANCE
SPECIFICATIONS**

105 Ah – 2000 Ah





The PowerSafe® DDm battery range offers an ideal solution for large capacity valve regulated lead-acid battery requirements. PowerSafe DDm battery's steel can (module) design concept, with its integral racking system, provides a cost effective battery system with a compact, quick and simple installation process.

The PowerSafe DDm battery system's cutting-edge technology incorporates an enhanced cell design with a superior racking system. The enhanced cell incorporates thicker positive plates for longer life. The welded/epoxy, dual post seal design provides the highest integrity seal in the industry. The large copper post design also enhances the high rate performance.

Cells are encased in dedicated protective steel cans (modules) that maintain constant, uniform compression for the life of the cell. The easy to assemble racking system provides total flexibility for system configuration and allows fast, simple installation even in the most difficult locations.

PowerSafe DDm battery, with its optimized recombination technology and extra thick plates, provides excellent performance and service life across a wide range of applications including: telecommunications, power generation/distribution sites and UPS.

Construction

- Positive plate — Thick 0.252" lead-calcium-tin grids minimize corrosion and prolong life
- Negative plate — Balanced lead-calcium grids optimize recombination efficiency
- AGM separator — Mechanically strong, low electrical resistance, microporous glass fiber which completely absorbs the electrolyte into its structure
- Container/Cover — Flame retardant polypropylene (UL94 V-0/L.O.I. 28%)
- Containers are single-piece construction
- Electrolyte — Diluted sulfuric acid
- Terminal post — Lead casting terminal, threaded copper insert, with large surface area, to provide maximum conductivity
- Terminal seal — Ring burn with secondary epoxy resin seal is 100% water bath tested in the factory and proven in service
- Relief valve — Operates at 2-3 psi and is complete with integral flame arrestor

Features

- 100% "out of box" initial battery capacity
- VRLA recombinant technology - low maintenance - no watering required
- Up to 2000 Ah in a single cell
- Frame design allows for maximum heat dissipation
- Certified to 1997 UBC Zone 4 to six high on DDm125 and eight high on DDm35, DDm50, DDm85 and DDm100 sizes
- Steel module design, cells factory installed in permanent steel modules with 1 or 2 cells per can
- Module can be configured 2, 3, 4 or 6 cells wide in single cell modules; 2, 4 or 6 cells wide in 2-cell modules for maximum flexibility
- Simplified installation
- Top termination standard, optional side termination available
- Clear flame retardant front safety shields allow for easy visual inspection without removal

Benefits of the steel can (module) design

- Ease of installation, simply set up rack and install modules
- Uniform and consistent compression
- "Designed-In" thermal management allows maximum air flow
- Flexible configuration
- Cell protection from damage during transport

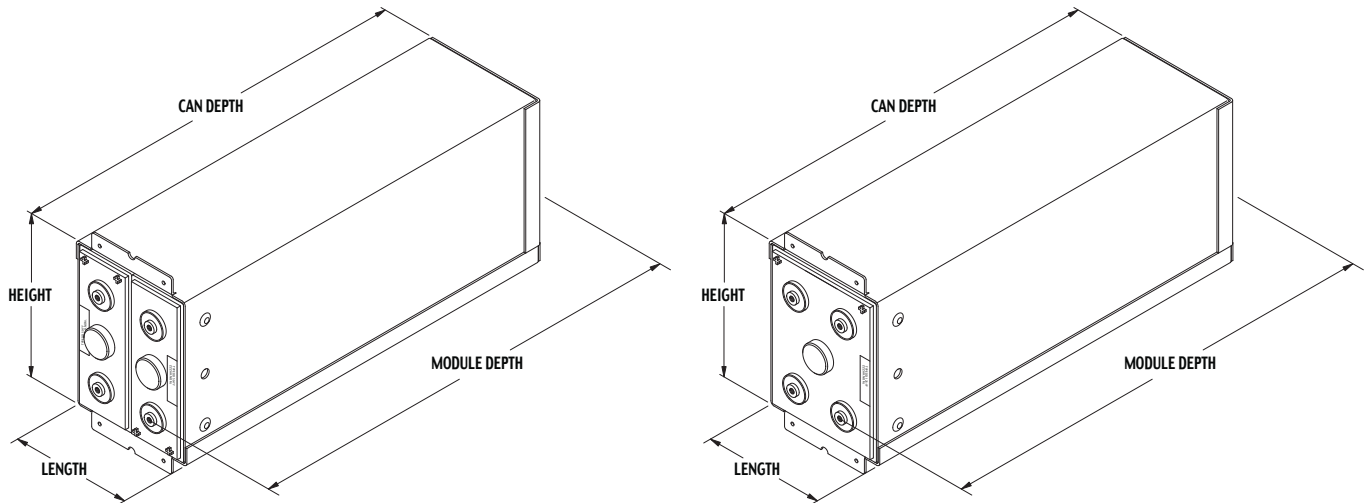
Installation

- Steel module design is easier to install, does not require removal from protective steel cans (modules) during installation
- Flexible configuration — 2, 3, 4 or 6 cells wide in single cell modules or 2, 4 or 6 cells wide in 2-cell modules
- Total front access for easy maintenance
- Floor anchoring — easy access during install, rack can be set before stowing modules
- Top termination standard — optional side termination available
- Transition kits available to mount relay rack above battery system

GENERAL SPECIFICATIONS

PowerSafe® DDm Battery Type	Nominal Capacity (Ah)		Nominal Dimensions								Electrolyte (1.300 S.G.)				Pure Acid (1.835 S.G.)									
	10hr. rate	8hr. rate	Length		Height		Can Depth		Module Depth		Typical Weight of Cell(s) in Can		Internal* Resistance Micro-Ohms	Short Circuit Current (Amps)	Volume (per cell)		Weight (per cell)		Volume (per cell)		Weight (per cell)		Lead Weight (per cell)	
	@ 20°C	@ 77°F	mm	in	mm	in	mm	in	mm	in	kg	lbs			oz	L	lbs	kg	oz	L	lbs	kg	lbs	kg
2DDm35-07	105	105	112	4.4	165	6.5	333	13.1	366	14.4	19.1	42.0	1400	1500	47	1.4	4	1.8	13.5	0.04	1.6	0.7	10.5	4.7
2DDm50-09	200	200	188	7.4	165	6.5	333	13.1	366	14.4	34.3	75.4	825	2527	77	2.3	6.5	3.0	21.8	0.6	2.6	1.2	21	9.5
2DDm50-13	300	300	265	10.4	165	6.5	333	13.1	366	14.4	49.5	108.9	550	3791	128	3.6	10.4	4.7	34.6	1.0	4.1	1.9	32	14.5
DDm50-17	400	400	176	6.9	165	6.5	333	13.1	366	14.4	34.0	74.7	413	5048	166	4.9	14.1	6.4	47.4	1.4	5.6	2.5	44	19.9
2DDm85-13	510	510	265	10.4	165	6.5	519	20.4	554	21.8	75.7	166.5	515	4049	230	6.8	19.4	8.8	64.0	1.9	7.7	3.5	48	21.8
2DDm85-15	595	595	303	11.9	165	6.5	519	20.4	554	21.8	88.5	194.8	441	4728	269	7.8	22.4	10.1	74.2	2.2	8.9	4.0	58	26.3
DDm85-21	850	850	214	8.4	165	6.5	519	20.4	554	21.8	64.5	142.0	309	6748	371	11.0	31.5	14.3	105.0	3.1	12.5	5.7	85	38.6
DDm85-25	020	1020	252	9.9	165	6.5	519	20.4	554	21.8	74.4	163.7	258	8081	435	13.0	37.3	16.9	124.0	3.7	14.8	6.7	99	44.9
DDm85-27	1105	1105	271	10.7	165	6.5	519	20.4	554	21.8	80.8	177.8	238	8761	474	14.0	40.1	18.2	133.0	3.9	15.9	7.2	109	49.4
DDm85-33	1360	1360	328	12.9	165	6.5	519	20.4	554	21.8	97.9	217.5	193	10803	576	17.2	49.3	22.3	164.0	4.8	19.5	8.8	139	63.1
DDm100-21	1000	1000	214	8.4	165	6.5	590	23.2	624	24.5	73.5	163.4	270	7722	422	12.5	35.8	16.2	119.0	3.5	14.2	6.4	105	47.6
DDm100-25	1200	1200	252	9.9	165	6.5	590	23.2	624	24.5	86.5	192.1	225	9267	499	14.9	42.7	19.4	142.0	4.2	16.9	7.7	127	57.6
DDm100-27	1300	1300	271	10.7	165	6.5	590	23.2	624	24.5	92.0	204.3	208	10024	550	16.1	46.1	20.9	154.0	4.5	18.3	8.3	138	62.6
DDm100-33	1600	1600	328	12.9	165	6.5	590	23.2	624	24.5	115.3	256.3	169	12337	666	19.7	56.4	25.6	188.0	5.6	22.3	10.1	172	78
DDm125-25	1500	1500	252	9.9	226	8.9	562	22.1	597	23.5	112.3	249.6	168	12411	640	18.8	53.9	24.5	179.0	5.3	21.4	9.7	164	74.4
DDm125-27	1625	1625	271	10.7	226	8.9	562	22.1	597	23.5	120.8	268.4	155	13452	691	20.3	58.2	26.4	193.0	5.7	23.0	10.4	178	80.7
DDm125-33	2000	2000	328	12.9	226	8.9	562	22.1	597	23.5	144.1	320.3	126	16548	845	25.0	71.6	32.5	238.0	7.0	28.4	12.9	220	99.8

* Resistance Values are for reference only and not intended to represent an ohmic value or base line measurement.



PowerSafe® DDm Battery Type	Ah Capacity	Cells per module	Nominal Voltage (V)	Nominal Row Height		Nominal Stack Depth		Non-Seismic Nominal Stack Length**						Typical System Weight Per Cell (1)					
				mm	in	mm	in	2 Wide		3 Wide		4 Wide		6 Wide		Unpacked	Packed		
								mm	in	mm	in	mm	in	mm	in	kg	lbs.	kg	lbs
2DDm35-07	105	2	4	219.2	8.63	412.8	16.25	324.6*	12.78*	N/A	N/A	438.4*	17.26*	429.3	16.90	12.0	26.0	13.3	29.3
2DDm50-09	200	2	4	219.2	8.63	412.8	16.25	400.8*	15.78*	N/A	N/A	467.6	18.41	657.9	25.90	21.3	47.0	22.8	50.3
2DDm50-13	300	2	4	219.2	8.63	412.8	16.25	477.0*	18.78*	N/A	N/A	620.0	24.41	886.5	34.90	29.5	65.0	31.0	68.3
DDm50-17	400	1	2	219.2	8.63	412.8	16.25	441.5	17.38	619.0	24.37	791.2	31.15	1144.5	45.06	39.9	88.0	41.4	91.3
2DDm85-13	510	2	4	219.2	8.63	596.9	23.50	477.0*	18.78*	N/A	N/A	620.0	24.41	886.5	34.90	43.6	96.0	45.1	99.3
2DDm85-15	595	2	4	219.2	8.63	596.9	23.50	515.1*	20.28*	N/A	N/A	696.2	27.41	1000.8	39.40	50.4	111.0	51.9	114.3
DDm85-21	850	1	2	219.2	8.63	596.9	23.50	517.4	20.37	732.0	28.82	943.6	37.15	1412.2	55.60	72.1	159.0	73.6	162.3
DDm85-25	1020	1	2	219.2	8.63	596.9	23.50	593.6	23.37	846.3	33.32	1096.0	43.15	1640.1	64.57	83.0	183.0	84.5	186.3
DDm85-27	1105	1	2	219.2	8.63	596.9	23.50	631.7	24.87	903.7	35.58	1172.5	46.16	1755.4	69.11	90.3	199.0	91.8	202.3
DDm85-33	1360	1	2	219.2	8.63	596.9	23.50	746.0	29.37	1074.9	42.32	1400.8	55.15	2098.0	82.60	111.1	245.0	112.6	248.3
DDm100-21	1000	1	2	219.2	8.63	666.8	26.25	517.4	20.37	732.0	28.82	943.6	37.15	1412.2	55.60	83.9	185.0	85.4	188.3
DDm100-25	1200	1	2	219.2	8.63	666.8	26.25	593.6	23.37	846.3	33.32	1096.0	43.15	1640.1	64.57	99.3	219.0	100.9	222.3
DDm100-27	1300	1	2	219.2	8.63	666.8	26.25	631.7	24.87	903.7	35.58	1172.5	46.16	1755.4	69.11	107.1	236.0	108.6	239.3
DDm100-33	1600	1	2	219.2	8.63	666.8	26.25	746.0	29.37	1074.9	42.32	1400.8	55.15	2098.0	82.60	130.2	287.0	131.7	290.3
DDm125-25	1500	1	2	279.4	11.00	698.5	27.50	621.8	24.48	870.5	34.27	1127.0	44.37	1668.3	65.68	122.0	269.0	123.5	272.3
DDm125-27	1625	1	2	279.4	11.00	698.5	27.50	659.9	25.98	927.9	36.53	1203.2	47.37	1783.6	70.22	131.5	290.0	133.3	293.3
DDm125-33	2000	1	2	279.4	11.00	698.5	27.50	774.2	30.48	1099.0	43.27	1431.8	56.37	2126.2	83.71	161.0	355.0	162.5	358.3

(1) Includes hardware for calculating system weight
 * Standard top termination not available, stack length is with same side termination
 ** Stack dimensions representative of single stack configurations. Contact EnerSys for seismic qualification of systems.

FORMULA

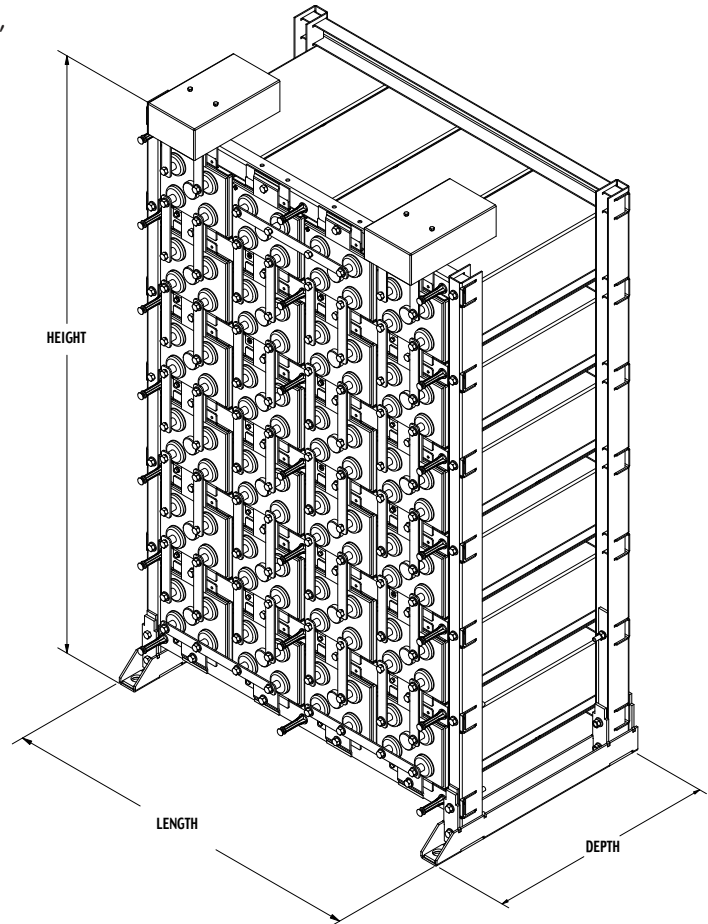
SYSTEM HEIGHT = (ROW HEIGHT x # OF CELL HIGH) + 9.0"
 SYSTEM LENGTH = STACK LENGTH x # OF STACKS
 SYSTEM WEIGHT = CELL WEIGHT x # OF CELLS

ACTUAL EXAMPLE: 24-DDm85-21,
 4 cells wide per stack x 6 cells high per stack

SYSTEM HEIGHT = (8.63" x 6) + 9.0" = 60.78"
 SYSTEM LENGTH = 37.15" x 1 = 37.15"
 SYSTEM WEIGHT = 159.0 lbs. x 24 = 3816.0 lbs.

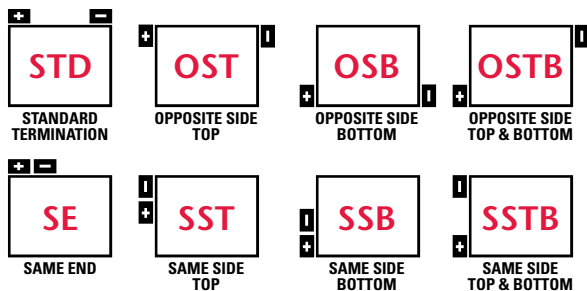
ADDITIONAL EXAMPLE: 240-DDm125-25,
 4 cells wide per stack x 6 cells high per stack

SYSTEM HEIGHT = (11.00" x 6) + 9.0" = 75.00"
 SYSTEM LENGTH = 44.37" x 10 = 443.70"
 SYSTEM WEIGHT = 269.0 lbs x 240 = 64,560.0 lbs.



TERMINATION LOCATIONS

Not all locations are possible for all configurations.



Discharge Rates in Amperes to 1.75Vpc at 25°C (77°F)

PowerSafe® DDm Battery Type	Ah* Capacity	Minutes					Hours									
		1	15	30	40	50	1	2	3	4	5	6	8	10	12	24
DDm35-07	105	252	148	101	84	72	63	38	28	22	19	16	13	11	9.6	5.6
DDm50-09	200	361	242	184	157	138	123	75	55	43	36	31	25	21	18	10
DDm50-13	300	541	364	275	236	207	184	113	82	65	54	47	38	31	27	16
DDm50-17	400	722	485	367	315	276	246	150	110	86	72	63	50	42	36	21
DDm85-13	510	674	525	416	367	329	297	189	141	113	95	82	65	52	45	25
DDm85-15	595	787	613	485	428	383	347	220	164	132	111	96	75	61	52	29
DDm85-21	850	1124	875	693	612	547	495	315	234	188	158	137	108	87	74	41
DDm85-25	1020	1348	1050	832	734	657	594	378	281	226	190	164	129	105	89	49
DDm85-27	1105	1461	1138	901	795	712	644	409	304	245	206	177	140	114	97	54
DDm85-33	1360	1797	1400	1109	978	876	792	504	375	302	253	218	172	140	119	66
DDm100-21	1000	1306	1006	799	707	634	575	369	274	219	184	159	126	104	89	49
DDm100-25	1200	1568	1207	959	848	761	690	442	329	263	221	191	151	125	107	59
DDm100-27	1300	1697	1308	1039	919	824	747	479	357	285	239	207	164	135	116	64
DDm100-33	1600	2090	1609	1279	1131	1014	920	590	439	351	294	254	202	166	142	78
DDm125-25	1500	1937	1542	1238	1093	979	886	569	420	333	278	240	189	155	132	74
DDm125-27	1625	2097	1671	1341	1184	1060	960	617	455	361	301	259	205	167	143	80
DDm125-33	2000	2583	2056	1650	1457	1305	1182	759	560	444	370	319	252	206	176	98

Discharge Rates in Amperes to 1.78Vpc at 25°C (77°F)

PowerSafe® DDm Battery Type	Ah* Capacity	Minutes					Hours									
		1	15	30	40	50	1	2	3	4	5	6	8	10	12	24
DDm35-07	105	227	139	96	81	70	62	37	28	22	19	16	13	11	9.5	5.6
DDm50-09	200	325	227	174	151	133	119	74	55	43	36	31	25	21	18	10
DDm50-13	300	488	340	261	226	200	179	112	82	65	54	47	38	31	27	16
DDm50-17	400	651	454	348	302	266	238	149	110	86	72	63	50	42	36	21
DDm85-13	510	608	486	390	346	311	283	184	138	111	94	81	64	52	45	25
DDm85-15	595	710	567	455	403	363	330	214	161	130	109	95	75	61	52	29
DDm85-21	850	1014	811	650	576	519	472	306	230	186	156	135	107	87	74	41
DDm85-25	1020	1215	973	779	691	622	566	367	276	223	188	162	128	105	89	49
DDm85-27	1105	1318	1054	844	749	674	613	398	299	241	203	176	139	113	97	54
DDm85-33	1360	1621	1297	1039	922	830	755	490	368	297	250	217	171	140	119	66
DDm100-21	1000	1186	937	752	667	602	549	359	268	215	181	156	124	102	88	49
DDm100-25	1200	1424	1125	902	801	722	658	430	322	258	217	188	149	123	105	58
DDm100-27	1300	1542	1219	977	868	782	713	466	349	279	235	203	161	133	114	63
DDm100-33	1600	1899	1500	1203	1068	963	878	574	429	344	289	250	198	164	141	78
DDm125-25	1500	1755	1430	1160	1029	926	843	550	412	333	278	240	189	155	132	74
DDm125-27	1625	1900	1549	1257	1115	1004	913	596	447	361	301	259	205	167	143	80
DDm125-33	2000	2340	1906	1547	1373	1235	1124	734	550	444	370	319	252	206	176	98

Discharge Rates in Amperes to 1.80Vpc at 25°C (77°F)

PowerSafe® DDm Battery Type	Ah* Capacity	Minutes					Hours									
		1	15	30	40	50	1	2	3	4	5	6	8	10	12	24
DDm35-07	105	211	132	93	78	68	60	57	27	22	18	16	13	11	9.4	5.5
DDm50-09	200	302	216	167	146	129	116	73	55	43	36	31	25	21	18	10
DDm50-13	300	452	324	250	218	194	174	110	82	65	54	47	38	31	27	16
DDm50-17	400	603	432	333	291	258	232	146	109	86	72	63	50	42	36	21
DDm85-13	510	563	460	372	331	298	272	179	135	110	93	80	63	52	44	25
DDm85-15	595	657	536	434	386	348	318	209	158	128	108	94	74	60	52	29
DDm85-21	850	939	766	620	551	497	454	298	226	183	154	134	106	86	74	41
DDm85-25	1020	1128	919	744	661	596	544	358	271	220	185	161	127	104	88	49
DDm85-27	1105	1221	996	805	716	646	590	388	293	238	201	174	137	112	96	53
DDm85-33	1360	1504	1226	991	881	795	726	477	361	293	247	214	169	138	118	66
DDm100-21	1000	1107	891	719	639	578	528	350	263	212	178	154	122	101	87	48
DDm100-25	1200	1328	1069	863	767	694	634	420	316	254	214	185	147	121	104	58
DDm100-27	1300	1440	1158	935	831	751	687	455	342	275	231	200	159	131	113	63
DDm100-33	1600	1770	1425	1150	1023	925	845	561	421	339	285	247	196	162	139	77
DDm125-25	1500	1633	1352	1105	984	888	810	535	403	326	275	239	189	155	132	74
DDm125-27	1625	1771	1465	1197	1066	962	878	579	437	353	298	259	205	167	143	80
DDm125-33	2000	2177	1803	1474	1312	1184	1080	713	537	435	367	319	252	206	176	98

* 8hr Rate to 1.75Vpc at 77°F

Discharge Rates in Amperes to 1.83Vpc at 25°C (77°F)

PowerSafe® DDm Battery Type	Ah* Capacity	Minutes					Hours									
		1	15	30	40	50	1	2	3	4	5	6	8	10	12	24
DDm35-07	105	186	121	86	73	64	57	35	26	21	18	16	13	11	9.2	5.4
DDm50-09	200	266	199	155	136	122	110	71	53	42	35	31	25	21	18	10
DDm50-13	300	400	298	233	204	182	165	106	79	63	53	46	37	31	27	16
DDm50-17	400	533	397	310	272	243	220	141	105	84	71	62	50	42	36	21
DDm85-13	510	498	419	344	307	278	254	171	130	106	90	78	62	51	43	24
DDm85-15	595	581	488	401	358	324	297	199	152	124	105	91	72	59	51	28
DDm85-21	850	829	698	572	511	463	424	284	216	177	150	130	103	84	72	40
DDm85-25	1020	996	837	687	614	555	508	341	260	212	180	156	124	101	87	48
DDm85-27	1105	1078	907	744	665	602	551	370	281	230	195	169	134	110	94	52
DDm85-33	1360	1328	1116	916	818	741	678	455	346	283	240	208	165	135	115	64
DDm100-21	1000	988	818	667	596	540	495	335	254	205	173	150	119	99	85	47
DDm100-25	1200	1185	982	801	715	648	594	401	305	246	208	180	143	118	102	56
DDm100-27	1300	1285	1064	867	775	702	643	435	330	267	225	195	155	128	110	61
DDm100-33	1600	1580	1309	1068	954	864	792	535	406	328	277	240	191	158	136	75
DDm125-25	1500	1444	1232	1019	912	826	756	507	386	314	266	232	185	152	131	74
DDm125-27	1625	1564	1335	1104	988	895	819	549	418	340	288	251	200	165	141	80
DDm125-33	2000	1926	1643	1359	1216	1102	1008	676	514	419	355	309	246	203	174	98

Discharge Rates in Amperes to 1.85Vpc at 25°C (77°F)

PowerSafe® DDm Battery Type	Ah* Capacity	Minutes					Hours									
		1	15	30	40	50	1	2	3	4	5	6	8	10	12	24
DDm35-07	105	170	113	82	70	61	55	34	26	21	17	15	12	10	9.0	5.3
DDm50-09	200	244	186	147	129	116	105	68	51	41	35	30	24	21	18	10
DDm50-13	300	365	279	220	194	174	158	103	77	62	52	45	37	31	27	15
DDm50-17	400	487	373	293	258	232	210	137	103	82	69	61	49	41	36	21
DDm85-13	510	455	391	324	290	263	241	164	126	103	87	76	60	50	42	24
DDm85-15	595	531	456	378	339	307	282	191	147	120	102	89	70	58	50	28
DDm85-21	850	758	652	539	484	439	402	273	209	171	145	127	100	82	71	40
DDm85-25	1020	909	782	647	581	527	483	328	251	205	174	152	120	99	85	48
DDm85-27	1105	986	847	701	629	571	523	355	272	222	189	165	130	107	92	52
DDm85-33	1360	1212	1043	863	774	702	644	437	335	274	232	203	160	132	113	63
DDm100-21	1000	907	768	631	566	513	471	321	246	200	169	147	117	97	83	46
DDm100-25	1200	1090	922	758	679	616	565	386	295	240	203	176	140	116	100	55
DDm100-27	1300	1180	999	821	735	667	612	418	320	260	220	191	152	126	108	60
DDm100-33	1600	1453	1229	1010	905	821	754	514	393	320	270	235	187	155	133	74
DDm125-25	1500	1316	1150	959	862	782	717	485	372	304	258	225	179	148	127	72
DDm125-27	1625	1427	1246	1039	933	848	777	525	403	329	280	244	194	161	138	78
DDm125-33	2000	1755	1533	1279	1149	1043	956	646	495	405	344	300	239	198	170	96

Discharge Rates in Amperes to 1.88Vpc at 25°C (77°F)

PowerSafe® DDm Battery Type	Ah* Capacity	Minutes					Hours									
		1	15	30	40	50	1	2	3	4	5	6	8	10	12	24
DDm35-07	105	144	101	74	64	56	50	32	24	19	17	15	12	9.9	8.6	5.1
DDm50-09	200	209	167	134	118	106	97	64	48	39	33	29	23	20	17	10
DDm50-13	300	314	251	200	177	159	145	96	73	59	50	44	35	30	26	15
DDm50-17	400	418	334	267	236	212	193	128	97	78	66	58	47	40	34	20
DDm85-13	510	390	350	292	264	241	221	152	118	97	83	72	57	47	40	23
DDm85-15	595	455	408	341	308	281	258	178	138	113	96	84	66	55	47	27
DDm85-21	850	651	583	487	440	401	369	254	197	162	138	120	95	78	67	38
DDm85-25	1020	780	699	584	528	481	442	305	236	194	165	144	113	94	81	46
DDm85-27	1105	846	757	633	572	522	479	330	256	210	179	156	123	102	87	49
DDm85-33	1360	1040	932	779	704	642	590	406	315	258	220	192	151	125	108	61
DDm100-21	1000	786	690	575	518	472	434	298	230	189	161	140	111	93	80	44
DDm100-25	1200	944	829	690	622	566	520	358	276	226	193	168	134	111	96	53
DDm100-27	1300	1022	898	748	674	613	564	388	299	245	209	182	145	120	104	58
DDm100-33	1600	1258	1105	920	829	755	694	477	368	302	257	224	178	148	128	71
DDm125-25	1500	1119	1022	864	781	712	654	447	346	285	243	213	170	141	122	69
DDm125-27	1625	1212	1107	936	846	772	709	484	375	308	263	231	184	153	132	75
DDm125-33	2000	1493	1363	1152	1041	950	872	595	461	380	324	284	226	188	162	92

* 8hr Rate to 1.75Vpc at 77°F

Discharge Rates in Amperes to 1.90Vpc at 25°C (77°F)

PowerSafe® DDm Battery Type	Ah* Capacity	Minutes					Hours									
		1	15	30	40	50	1	2	3	4	5	6	8	10	12	24
DDm35-07	105	128	91	68	59	53	47	30	23	19	16	14	11	9.5	8.3	4.9
DDm50-09	200	187	154	124	110	99	91	61	46	37	32	28	23	19	17	10
DDm50-13	300	280	231	186	165	149	136	91	69	56	48	42	34	29	25	14
DDm50-17	400	374	308	248	220	199	181	121	92	75	64	56	45	38	33	19
DDm85-13	510	348	321	270	245	224	207	144	112	92	79	69	54	45	39	22
DDm85-15	595	406	375	315	286	262	241	168	131	108	92	80	63	52	45	26
DDm85-21	850	581	535	450	409	374	345	239	186	154	131	115	90	75	65	37
DDm85-25	1020	697	643	540	490	449	413	287	224	184	157	137	108	90	77	44
DDm85-27	1105	755	696	585	531	486	448	311	242	200	170	149	117	97	84	48
DDm85-33	1360	930	857	720	654	598	551	383	298	246	210	183	144	120	103	58
DDm100-21	1000	706	637	535	484	442	407	281	218	179	153	134	107	89	77	43
DDm100-25	1200	846	764	642	581	531	489	338	261	215	184	161	128	107	92	52
DDm100-27	1300	917	828	696	630	575	530	366	283	233	199	174	139	116	100	56
DDm100-33	1600	1128	1019	856	775	708	652	450	348	287	245	215	171	142	123	69
DDm125-25	1500	983	935	797	724	662	609	419	326	269	231	202	161	135	116	67
DDm125-27	1625	1064	1013	863	784	717	660	454	353	292	250	219	174	146	126	72
DDm125-33	2000	1310	1247	1062	965	882	812	558	435	359	308	270	215	179	155	89

Discharge Rates in Amperes to 1.94Vpc at 25°C (77°F)

PowerSafe® DDm Battery Type	Ah* Capacity	Minutes					Hours									
		1	15	30	40	50	1	2	3	4	5	6	8	10	12	24
DDm35-07	105	94.2	73	57	49	44	40	26	20	16	14	12	9.9	8.4	7.4	4.4
DDm50-09	200	142	127	103	93	84	77	52	40	33	28	25	20	17	15	9
DDm50-13	300	212	190	155	139	126	116	78	60	49	42	37	30	26	22	13
DDm50-17	400	283	254	207	185	168	154	104	80	66	56	50	40	34	30	17
DDm85-13	510	266	263	224	204	189	175	124	98	81	69	60	48	40	35	20
DDm85-15	595	311	307	261	238	220	204	145	114	94	81	70	56	47	40	23
DDm85-21	850	444	438	373	340	315	291	207	162	135	115	100	79	67	58	33
DDm85-25	1020	533	526	447	408	377	350	248	195	162	138	120	95	80	69	39
DDm85-27	1105	577	570	485	442	409	379	269	211	175	150	130	103	86	75	43
DDm85-33	1360	711	701	596	544	503	466	331	260	215	184	160	127	106	92	53
DDm100-21	1000	545	527	450	410	379	351	246	191	158	135	118	94	79	68	38
DDm100-25	1200	654	633	540	492	455	421	295	229	190	162	142	113	95	82	46
DDm100-27	1300	709	686	585	533	493	456	319	249	205	176	153	122	103	89	50
DDm100-33	1600	872	844	720	656	606	561	393	306	253	216	189	151	126	109	61
DDm125-25	1500	757	756	654	598	553	511	360	282	234	201	176	141	119	103	60
DDm125-27	1625	820	819	709	648	599	554	390	306	254	218	190	153	129	112	65
DDm125-33	2000	1010	1008	872	797	737	682	480	376	312	268	234	188	158	138	80

* 8hr Rate to 1.75Vpc at 77°F

Discharge Rates in Kilowatts per Cell to 1.60Vpc at 25°C (77°F)

PowerSafe® DDm Battery Type	Ah* Capacity	Minutes							Hours									
		5	10	15	20	30	40	50	1	2	3	4	5	6	8	10	12	24
DDm35-07	105	0.474	0.373	0.303	0.255	0.196	0.161	0.137	0.121	0.073	0.054	0.044	0.037	0.032	0.026	0.022	0.019	0.011
DDm50-09	200	0.679	0.577	0.504	0.445	0.360	0.303	0.262	0.232	0.143	0.106	0.085	0.072	0.062	0.049	0.041	0.036	0.020
DDm50-13	300	1.019	0.865	0.756	0.667	0.541	0.454	0.393	0.348	0.215	0.159	0.128	0.108	0.093	0.074	0.062	0.054	0.031
DDm50-17	400	1.359	1.153	1.008	0.889	0.721	0.605	0.524	0.464	0.287	0.211	0.171	0.144	0.125	0.098	0.083	0.072	0.041
DDm85-13	510	1.437	1.275	1.143	1.037	0.869	0.748	0.655	0.583	0.362	0.268	0.217	0.183	0.159	0.125	0.104	0.089	0.049
DDm85-15	595	1.676	1.487	1.334	1.210	1.014	0.873	0.765	0.680	0.423	0.313	0.253	0.214	0.185	0.146	0.121	0.104	0.057
DDm85-21	850	2.395	2.125	1.905	1.728	1.449	1.247	1.092	0.971	0.604	0.447	0.361	0.306	0.265	0.209	0.173	0.149	0.081
DDm85-25	1020	2.874	2.550	2.286	2.074	1.738	1.496	1.311	1.165	0.725	0.537	0.434	0.367	0.318	0.251	0.208	0.178	0.097
DDm85-27	1105	3.113	2.762	2.477	2.247	1.883	1.621	1.420	1.262	0.785	0.582	0.470	0.397	0.344	0.272	0.225	0.193	0.105
DDm85-33	1360	3.831	3.400	3.049	2.765	2.318	1.995	1.748	1.554	0.967	0.716	0.578	0.489	0.424	0.334	0.278	0.238	0.130
DDm100-21	1000	2.686	2.390	2.149	1.956	1.656	1.438	1.269	1.139	0.715	0.531	0.428	0.361	0.312	0.246	0.204	0.176	0.096
DDm100-25	1200	3.223	2.868	2.579	2.348	1.988	1.725	1.523	1.366	0.858	0.637	0.513	0.433	0.374	0.295	0.245	0.211	0.116
DDm100-27	1300	3.492	3.107	2.794	2.543	2.153	1.869	1.650	1.480	0.929	0.690	0.556	0.469	0.406	0.319	0.265	0.228	0.125
DDm100-33	1600	4.298	3.824	3.439	3.130	2.650	2.300	2.031	1.822	1.144	0.849	0.684	0.577	0.499	0.393	0.327	0.281	0.154
DDm125-25	1500	4.105	3.664	3.320	3.036	2.586	2.243	1.971	1.750	1.077	0.796	0.643	0.542	0.469	0.369	0.307	0.264	0.146
DDm125-27	1625	4.447	3.969	3.596	3.288	2.802	2.430	2.135	1.896	1.167	0.862	0.696	0.587	0.508	0.400	0.333	0.286	0.158
DDm125-33	2000	5.473	4.885	4.426	4.047	3.448	2.991	2.627	2.334	1.436	1.061	0.857	0.722	0.625	0.492	0.410	0.353	0.194

Discharge Rates in Kilowatts per Cell to 1.63Vpc at 25°C (77°F)

PowerSafe® DDm Battery Type	Ah* Capacity	Minutes							Hours									
		5	10	15	20	30	40	50	1	2	3	4	5	6	8	10	12	24
DDm35-07	105	0.457	0.365	0.299	0.254	0.196	0.161	0.137	0.121	0.073	0.054	0.044	0.037	0.032	0.026	0.022	0.019	0.011
DDm50-09	200	0.658	0.562	0.494	0.439	0.358	0.303	0.262	0.232	0.143	0.106	0.085	0.072	0.062	0.049	0.041	0.036	0.020
DDm50-13	300	0.988	0.843	0.742	0.659	0.537	0.454	0.393	0.348	0.215	0.159	0.128	0.108	0.093	0.074	0.062	0.054	0.031
DDm50-17	400	1.317	1.124	0.989	0.878	0.715	0.605	0.524	0.464	0.287	0.211	0.171	0.144	0.125	0.098	0.083	0.072	0.041
DDm85-13	510	1.382	1.230	1.108	1.008	0.853	0.738	0.650	0.583	0.362	0.268	0.217	0.183	0.159	0.125	0.104	0.089	0.049
DDm85-15	595	1.612	1.435	1.292	1.176	0.995	0.861	0.758	0.680	0.423	0.313	0.253	0.214	0.185	0.146	0.121	0.104	0.057
DDm85-21	850	2.303	2.051	1.846	1.680	1.422	1.230	1.083	0.971	0.604	0.447	0.361	0.306	0.265	0.209	0.173	0.149	0.081
DDm85-25	1020	2.763	2.461	2.215	2.016	1.706	1.476	1.300	1.165	0.725	0.537	0.434	0.367	0.318	0.251	0.208	0.178	0.097
DDm85-27	1105	2.994	2.666	2.400	2.184	1.848	1.599	1.408	1.262	0.785	0.582	0.470	0.397	0.344	0.272	0.225	0.193	0.105
DDm85-33	1360	3.684	3.281	2.953	2.688	2.275	1.969	1.733	1.554	0.967	0.716	0.578	0.489	0.424	0.334	0.278	0.238	0.130
DDm100-21	1000	2.593	2.314	2.087	1.905	1.626	1.418	1.256	1.130	0.715	0.531	0.428	0.361	0.312	0.246	0.204	0.176	0.096
DDm100-25	1200	3.111	2.776	2.505	2.286	1.951	1.701	1.507	1.356	0.858	0.637	0.513	0.433	0.374	0.295	0.245	0.211	0.116
DDm100-27	1300	3.371	3.008	2.714	2.477	2.114	1.843	1.633	1.469	0.929	0.690	0.556	0.469	0.406	0.319	0.265	0.228	0.125
DDm100-33	1600	4.149	3.702	3.340	3.049	2.602	2.269	2.010	1.808	1.144	0.849	0.684	0.577	0.499	0.393	0.327	0.281	0.154
DDm125-25	1500	3.943	3.542	3.219	2.955	2.533	2.207	1.954	1.750	1.077	0.796	0.643	0.542	0.469	0.369	0.307	0.264	0.146
DDm125-27	1625	4.271	3.837	3.488	3.201	2.744	2.391	2.117	1.896	1.167	0.862	0.696	0.587	0.508	0.400	0.333	0.286	0.158
DDm125-33	2000	5.257	4.723	4.293	3.940	3.377	2.943	2.605	2.334	1.436	1.061	0.857	0.722	0.625	0.492	0.410	0.353	0.194

Discharge Rates in Kilowatts per Cell to 1.67Vpc at 25°C (77°F)

PowerSafe® DDm Battery Type	Ah* Capacity	Minutes							Hours									
		5	10	15	20	30	40	50	1	2	3	4	5	6	8	10	12	24
DDm35-07	105	0.432	0.350	0.292	0.250	0.194	0.160	0.137	0.121	0.073	0.054	0.044	0.037	0.032	0.026	0.022	0.019	0.011
DDm50-09	200	0.626	0.539	0.477	0.428	0.352	0.300	0.262	0.232	0.143	0.106	0.085	0.072	0.062	0.049	0.041	0.036	0.020
DDm50-13	300	0.939	0.809	0.716	0.642	0.528	0.450	0.393	0.348	0.215	0.159	0.128	0.108	0.093	0.074	0.062	0.054	0.031
DDm50-17	400	1.251	1.078	0.954	0.856	0.705	0.601	0.524	0.464	0.287	0.211	0.171	0.144	0.125	0.098	0.083	0.072	0.041
DDm85-13	510	1.299	1.165	1.054	0.963	0.825	0.720	0.638	0.574	0.362	0.268	0.217	0.183	0.159	0.125	0.104	0.089	0.049
DDm85-15	595	1.516	1.360	1.230	1.124	0.962	0.840	0.745	0.669	0.423	0.313	0.253	0.214	0.185	0.146	0.121	0.104	0.057
DDm85-21	850	2.165	1.942	1.757	1.605	1.375	1.200	1.064	0.956	0.604	0.447	0.361	0.306	0.265	0.209	0.173	0.149	0.081
DDm85-25	1020	2.598	2.331	2.108	1.926	1.649	1.440	1.276	1.147	0.725	0.537	0.434	0.367	0.318	0.251	0.208	0.178	0.097
DDm85-27	1105	2.815	2.525	2.283	2.087	1.787	1.560	1.383	1.243	0.785	0.582	0.470	0.397	0.344	0.272	0.225	0.193	0.105
DDm85-33	1360	3.465	3.108	2.810	2.569	2.199	1.920	1.702	1.530	0.967	0.716	0.578	0.489	0.424	0.334	0.278	0.238	0.130
DDm100-21	1000	2.450	2.201	1.995	1.827	1.573	1.382	1.232	1.111	0.715	0.531	0.428	0.361	0.312	0.246	0.204	0.176	0.096
DDm100-25	1200	2.940	2.641	2.394	2.193	1.888	1.659	1.478	1.333	0.858	0.637	0.513	0.433	0.374	0.295	0.245	0.211	0.116
DDm100-27	1300	3.185	2.861	2.593	2.376	2.045	1.797	1.601	1.444	0.929	0.690	0.556	0.469	0.406	0.319	0.265	0.228	0.125
DDm100-33	1600	3.920	3.522	3.192	2.924	2.517	2.211	1.971	1.778	1.143	0.849	0.684	0.577	0.499	0.393	0.327	0.281	0.154
DDm125-25	1500	3.716	3.358	3.071	2.832	2.445	2.145	1.911	1.726	1.077	0.796	0.643	0.542	0.469	0.369	0.307	0.264	0.146
DDm125-27	1625	4.026	3.638	3.326	3.068	2.648	2.324	2.070	1.869	1.167	0.862	0.696	0.587	0.508	0.400	0.333	0.286	0.158
DDm125-33	2000	4.955	4.477	4.094	3.776	3.259	2.861	2.548	2.301	1.436	1.061	0.857	0.722	0.625	0.492	0.410	0.353	0.194

* 8hr Rate to 1.75Vpc at 77°F

Discharge Rates in Kilowatts per Cell to 1.70Vpc at 25°C (77°F)

PowerSafe® DDm Battery Type	Ah* Capacity	Minutes								Hours								
		5	10	15	20	30	40	50	1	2	3	4	5	6	8	10	12	24
DDm35-07	105	0.412	0.337	0.284	0.245	0.192	0.157	0.137	0.121	0.073	0.054	0.044	0.037	0.032	0.026	0.022	0.019	0.011
DDm50-09	200	0.599	0.519	0.461	0.416	0.346	0.297	0.260	0.232	0.143	0.106	0.085	0.072	0.062	0.049	0.041	0.036	0.020
DDm50-13	300	0.898	0.779	0.692	0.624	0.520	0.445	0.390	0.348	0.215	0.159	0.128	0.108	0.093	0.074	0.062	0.054	0.031
DDm50-17	400	1.198	1.038	0.923	0.832	0.693	0.593	0.519	0.464	0.287	0.211	0.171	0.144	0.125	0.098	0.083	0.072	0.041
DDm85-13	510	1.235	1.110	1.009	0.926	0.797	0.701	0.626	0.564	0.362	0.268	0.217	0.183	0.159	0.125	0.104	0.089	0.049
DDm85-15	595	1.441	1.295	1.177	1.080	0.930	0.818	0.730	0.658	0.423	0.313	0.253	0.214	0.185	0.146	0.121	0.104	0.057
DDm85-21	850	2.059	1.850	1.682	1.543	1.329	1.168	1.043	0.940	0.604	0.447	0.361	0.306	0.265	0.209	0.173	0.149	0.081
DDm85-25	1020	2.470	2.220	2.019	1.851	1.595	1.402	1.251	1.128	0.725	0.537	0.434	0.367	0.318	0.251	0.208	0.178	0.097
DDm85-27	1105	2.676	2.405	2.187	2.005	1.727	1.519	1.355	1.222	0.785	0.582	0.470	0.397	0.344	0.272	0.225	0.193	0.105
DDm85-33	1360	3.294	2.960	2.691	2.468	2.126	1.869	1.668	1.504	0.966	0.716	0.578	0.489	0.424	0.334	0.278	0.238	0.130
DDm100-21	1000	2.337	2.106	1.918	1.762	1.525	1.347	1.206	1.092	0.709	0.531	0.428	0.361	0.312	0.246	0.204	0.176	0.096
DDm100-25	1200	2.804	2.527	2.301	2.114	1.829	1.616	1.448	1.310	0.850	0.637	0.513	0.433	0.374	0.295	0.245	0.211	0.116
DDm100-27	1300	3.038	2.738	2.493	2.290	1.982	1.751	1.568	1.419	0.921	0.690	0.556	0.469	0.406	0.319	0.265	0.228	0.125
DDm100-33	1600	3.739	3.369	3.068	2.819	2.439	2.155	1.930	1.747	1.134	0.849	0.684	0.577	0.499	0.393	0.327	0.281	0.154
DDm125-25	1500	3.534	3.208	2.948	2.728	2.364	2.086	1.867	1.690	1.077	0.796	0.643	0.542	0.469	0.369	0.307	0.264	0.146
DDm125-27	1625	3.829	3.475	3.193	2.955	2.561	2.260	2.023	1.831	1.167	0.862	0.696	0.587	0.508	0.400	0.333	0.286	0.158
DDm125-33	2000	4.713	4.277	3.931	3.637	3.152	2.782	2.489	2.254	1.436	1.061	0.857	0.722	0.625	0.492	0.410	0.353	0.194

Discharge Rates in Kilowatts per Cell to 1.75Vpc at 25°C (77°F)

PowerSafe® DDm Battery Type	Ah* Capacity	Minutes								Hours								
		5	10	15	20	30	40	50	1	2	3	4	5	6	8	10	12	24
DDm35-07	105	0.374	0.311	0.266	0.232	0.185	0.154	0.134	0.119	0.073	0.054	0.044	0.037	0.032	0.026	0.022	0.019	0.011
DDm50-09	200	0.549	0.481	0.430	0.390	0.331	0.286	0.253	0.227	0.143	0.106	0.085	0.072	0.062	0.049	0.041	0.036	0.020
DDm50-13	300	0.824	0.721	0.644	0.585	0.496	0.430	0.379	0.340	0.215	0.159	0.128	0.108	0.093	0.074	0.062	0.054	0.031
DDm50-17	400	1.098	0.961	0.859	0.780	0.662	0.573	0.506	0.453	0.287	0.211	0.171	0.144	0.125	0.098	0.083	0.072	0.041
DDm85-13	510	1.118	1.010	0.926	0.855	0.742	0.659	0.594	0.541	0.355	0.266	0.216	0.183	0.159	0.125	0.104	0.089	0.049
DDm85-15	595	1.304	1.178	1.080	0.997	0.866	0.769	0.693	0.631	0.414	0.310	0.252	0.214	0.185	0.146	0.121	0.104	0.057
DDm85-21	850	1.863	1.683	1.543	1.425	1.237	1.099	0.990	0.902	0.591	0.444	0.360	0.306	0.265	0.209	0.173	0.149	0.081
DDm85-25	1020	2.236	2.020	1.852	1.710	1.484	1.318	1.188	1.082	0.710	0.532	0.433	0.367	0.318	0.251	0.208	0.178	0.097
DDm85-27	1105	2.422	2.188	2.006	1.852	1.608	1.428	1.287	1.172	0.769	0.577	0.469	0.397	0.344	0.272	0.225	0.193	0.105
DDm85-33	1360	2.981	2.693	2.469	2.280	1.979	1.758	1.584	1.443	0.946	0.710	0.577	0.489	0.424	0.334	0.278	0.238	0.130
DDm100-21	1000	2.131	1.933	1.774	1.639	1.428	1.271	1.147	1.047	0.692	0.520	0.423	0.358	0.310	0.245	0.204	0.176	0.096
DDm100-25	1200	2.557	2.320	2.129	1.967	1.713	1.525	1.377	1.257	0.831	0.625	0.508	0.429	0.372	0.294	0.245	0.211	0.116
DDm100-27	1300	2.770	2.513	2.306	2.131	1.856	1.652	1.491	1.362	0.900	0.677	0.550	0.465	0.403	0.318	0.265	0.228	0.125
DDm100-33	1600	3.409	3.093	2.839	2.623	2.284	2.033	1.835	1.676	1.108	0.833	0.677	0.572	0.496	0.392	0.326	0.281	0.154
DDm125-25	1500	3.205	2.938	2.715	2.520	2.205	1.961	1.768	1.611	1.059	0.796	0.643	0.542	0.469	0.369	0.307	0.264	0.146
DDm125-27	1625	3.472	3.183	2.941	2.730	2.389	2.125	1.915	1.746	1.147	0.862	0.696	0.587	0.508	0.400	0.333	0.286	0.158
DDm125-33	2000	4.273	3.917	3.620	3.361	2.940	2.615	2.357	2.148	1.412	1.061	0.857	0.722	0.625	0.492	0.410	0.353	0.194

Discharge Rates in Kilowatts per Cell to 1.78Vpc at 25°C (77°F)

PowerSafe® DDm Battery Type	Ah* Capacity	Minutes								Hours								
		5	10	15	20	30	40	50	1	2	3	4	5	6	8	10	12	24
DDm35-07	105	0.349	0.293	0.252	0.221	0.178	0.149	0.131	0.116	0.072	0.053	0.043	0.037	0.032	0.025	0.021	0.019	0.011
DDm50-09	200	0.516	0.454	0.408	0.371	0.317	0.277	0.246	0.221	0.142	0.106	0.085	0.072	0.062	0.049	0.041	0.036	0.020
DDm50-13	300	0.773	0.681	0.612	0.557	0.475	0.415	0.369	0.332	0.213	0.159	0.128	0.108	0.093	0.074	0.062	0.054	0.031
DDm50-17	400	1.031	0.907	0.816	0.743	0.634	0.554	0.492	0.443	0.284	0.211	0.171	0.144	0.125	0.098	0.083	0.072	0.041
DDm85-13	510	1.043	0.946	0.870	0.807	0.705	0.629	0.569	0.521	0.347	0.262	0.214	0.182	0.158	0.125	0.104	0.089	0.049
DDm85-15	595	1.217	1.104	1.015	0.941	0.822	0.733	0.664	0.607	0.405	0.306	0.250	0.212	0.184	0.146	0.121	0.104	0.057
DDm85-21	850	1.738	1.577	1.450	1.345	1.174	1.048	0.948	0.868	0.579	0.437	0.357	0.303	0.263	0.208	0.173	0.149	0.081
DDm85-25	1020	2.086	1.892	1.740	1.614	1.409	1.257	1.138	1.041	0.694	0.524	0.428	0.363	0.315	0.250	0.208	0.178	0.097
DDm85-27	1105	2.260	2.050	1.886	1.748	1.527	1.362	1.232	1.128	0.752	0.568	0.464	0.393	0.342	0.270	0.225	0.193	0.105
DDm85-33	1360	2.781	2.523	2.321	2.152	1.879	1.676	1.517	1.388	0.926	0.699	0.571	0.484	0.420	0.333	0.277	0.238	0.130
DDm100-21	1000	2.000	1.822	1.678	1.556	1.361	1.215	1.101	1.009	0.678	0.511	0.417	0.353	0.306	0.242	0.202	0.174	0.096
DDm100-25	1200	2.400	2.186	2.014	1.867	1.633	1.458	1.321	1.211	0.813	0.614	0.501	0.424	0.367	0.290	0.242	0.209	0.115
DDm100-27	1300	2.599	2.368	2.182	2.023	1.769	1.579	1.431	1.312	0.881	0.665	0.542	0.459	0.398	0.314	0.262	0.226	0.125
DDm100-33	1600	3.199	2.915	2.685	2.490	2.178	1.944	1.762	1.615	1.085	0.818	0.667	0.565	0.490	0.387	0.323	0.278	0.154
DDm125-25	1500	2.998	2.757	2.554	2.381	2.095	1.870	1.692	1.548	1.031	0.781	0.640	0.542	0.469	0.369	0.307	0.264	0.146
DDm125-27	1625	3.247	2.986	2.767	2.580	2.269	2.026	1.833	1.677	1.117	0.847	0.693	0.587	0.508	0.400	0.333	0.286	0.158
DDm125-33	2000	3.997	3.676	3.406	3.175	2.793	2.494	2.256	2.064	1.374	1.042	0.853	0.722	0.625	0.492	0.410	0.353	0.194

* 8hr Rate to 1.75Vpc at 77°F

Discharge Rates in Kilowatts per Cell to 1.80Vpc at 25°C (77°F)

PowerSafe® DDm Battery Type	Ah* Capacity	Minutes							Hours									
		5	10	15	20	30	40	50	1	2	3	4	5	6	8	10	12	24
DDm35-07	105	0.372	0.290	0.241	0.213	0.172	0.145	0.117	0.114	0.071	0.053	0.043	0.036	0.032	0.025	0.021	0.019	0.011
DDm50-09	200	0.492	0.434	0.392	0.358	0.306	0.269	0.240	0.217	0.140	0.105	0.085	0.072	0.062	0.049	0.041	0.036	0.020
DDm50-13	300	0.738	0.651	0.588	0.536	0.459	0.403	0.360	0.325	0.210	0.157	0.128	0.108	0.093	0.074	0.062	0.054	0.031
DDm50-17	400	0.984	0.868	0.784	0.715	0.612	0.538	0.480	0.434	0.280	0.209	0.170	0.144	0.125	0.098	0.083	0.072	0.041
DDm85-13	510	0.991	0.901	0.831	0.773	0.678	0.606	0.550	0.504	0.340	0.258	0.212	0.180	0.156	0.124	0.103	0.089	0.048
DDm85-15	595	1.156	1.051	0.969	0.901	0.791	0.707	0.641	0.588	0.396	0.301	0.247	0.210	0.182	0.144	0.120	0.103	0.057
DDm85-21	850	1.652	1.502	1.385	1.288	1.131	1.010	0.916	0.840	0.566	0.430	0.353	0.300	0.260	0.206	0.172	0.148	0.081
DDm85-25	1020	1.982	1.802	1.662	1.545	1.357	1.213	1.100	1.008	0.680	0.516	0.423	0.360	0.312	0.248	0.206	0.177	0.097
DDm85-27	1105	2.148	1.952	1.800	1.674	1.470	1.314	1.191	1.092	0.736	0.558	0.459	0.390	0.338	0.268	0.223	0.192	0.105
DDm85-33	1360	2.643	2.403	2.215	2.060	1.809	1.617	1.466	1.344	0.906	0.687	0.565	0.480	0.416	0.330	0.275	0.236	0.129
DDm100-21	1000	1.910	1.743	1.610	1.497	1.313	1.174	1.066	0.979	0.665	0.504	0.412	0.349	0.303	0.239	0.200	0.172	0.095
DDm100-25	1200	2.291	2.092	1.932	1.796	1.576	1.409	1.280	1.175	0.798	0.605	0.495	0.419	0.363	0.287	0.240	0.207	0.114
DDm100-27	1300	2.482	2.266	2.093	1.946	1.707	1.526	1.386	1.272	0.864	0.655	0.536	0.454	0.393	0.311	0.260	0.224	0.124
DDm100-33	1600	3.055	2.789	2.576	2.395	2.101	1.878	1.706	1.566	1.064	0.806	0.660	0.558	0.484	0.383	0.320	0.276	0.152
DDm125-25	1500	2.851	2.625	2.441	2.282	2.015	1.803	1.636	1.498	1.008	0.766	0.630	0.536	0.466	0.369	0.307	0.264	0.146
DDm125-27	1625	3.089	2.844	2.644	2.473	2.182	1.954	1.772	1.623	1.092	0.830	0.683	0.581	0.505	0.400	0.333	0.286	0.158
DDm125-33	2000	3.801	3.501	3.255	3.043	2.686	2.404	2.181	1.998	1.343	1.022	0.840	0.715	0.622	0.492	0.410	0.353	0.194

Discharge Rates in Kilowatts per Cell to 1.83Vpc at 25°C (77°F)

PowerSafe® DDm Battery Type	Ah* Capacity	Minutes							Hours									
		5	10	15	20	30	40	50	1	2	3	4	5	6	8	10	12	24
DDm35-07	105	0.304	0.258	0.224	0.199	0.162	0.138	0.122	0.109	0.069	0.051	0.042	0.036	0.031	0.025	0.021	0.018	0.011
DDm50-09	200	0.455	0.403	0.366	0.335	0.288	0.254	0.228	0.208	0.136	0.102	0.084	0.071	0.062	0.049	0.041	0.036	0.020
DDm50-13	300	0.682	0.604	0.549	0.503	0.432	0.382	0.342	0.311	0.204	0.153	0.125	0.106	0.092	0.073	0.062	0.054	0.031
DDm50-17	400	0.909	0.806	0.731	0.670	0.576	0.509	0.457	0.415	0.272	0.204	0.167	0.142	0.123	0.097	0.082	0.072	0.041
DDm85-13	510	0.908	0.831	0.769	0.718	0.635	0.570	0.518	0.476	0.326	0.249	0.206	0.175	0.153	0.121	0.101	0.087	0.048
DDm85-15	595	1.059	0.970	0.897	0.837	0.741	0.665	0.605	0.555	0.381	0.291	0.240	0.205	0.178	0.142	0.118	0.102	0.056
DDm85-21	850	1.513	1.385	1.281	1.196	1.059	0.951	0.864	0.793	0.544	0.415	0.343	0.292	0.254	0.202	0.169	0.145	0.080
DDm85-25	1020	1.817	1.662	1.537	1.435	1.271	1.141	1.037	0.952	0.653	0.499	0.411	0.351	0.305	0.243	0.203	0.174	0.096
DDm85-27	1105	1.967	1.801	1.665	1.555	1.377	1.236	1.123	1.031	0.707	0.540	0.446	0.380	0.331	0.263	0.219	0.189	0.104
DDm85-33	1360	2.422	2.216	2.050	1.914	1.694	1.521	1.383	1.269	0.870	0.665	0.549	0.467	0.407	0.324	0.270	0.232	0.128
DDm100-21	1000	1.765	1.620	1.503	1.402	1.236	1.109	1.009	0.927	0.639	0.490	0.402	0.341	0.296	0.234	0.196	0.169	0.093
DDm100-25	1200	2.118	1.944	1.803	1.682	1.483	1.330	1.210	1.112	0.767	0.588	0.483	0.409	0.355	0.281	0.235	0.203	0.112
DDm100-27	1300	2.295	2.106	1.954	1.822	1.606	1.441	1.311	1.205	0.831	0.637	0.523	0.443	0.385	0.305	0.255	0.220	0.122
DDm100-33	1600	2.825	2.592	2.404	2.243	1.977	1.774	1.614	1.483	1.023	0.785	0.643	0.546	0.474	0.375	0.314	0.270	0.150
DDm125-25	1500	2.610	2.421	2.262	2.121	1.883	1.694	1.540	1.414	0.963	0.740	0.611	0.520	0.453	0.361	0.303	0.262	0.146
DDm125-27	1625	2.827	2.622	2.450	2.298	2.040	1.835	1.669	1.532	1.043	0.802	0.662	0.564	0.491	0.391	0.328	0.283	0.158
DDm125-33	2000	3.480	3.228	3.016	2.828	2.511	2.258	2.054	1.886	1.284	0.987	0.815	0.694	0.605	0.481	0.404	0.349	0.194

Discharge Rates in Kilowatts per Cell to 1.85Vpc at 25°C (77°F)

PowerSafe® DDm Battery Type	Ah* Capacity	Minutes							Hours									
		5	10	15	20	30	40	50	1	2	3	4	5	6	8	10	12	24
DDm35-07	105	0.283	0.242	0.212	0.188	0.154	0.133	0.117	0.105	0.067	0.050	0.041	0.035	0.030	0.024	0.021	0.018	0.011
DDm50-09	200	0.428	0.381	0.347	0.319	0.275	0.243	0.219	0.200	0.133	0.100	0.082	0.070	0.060	0.048	0.041	0.035	0.020
DDm50-13	300	0.643	0.572	0.520	0.478	0.413	0.365	0.329	0.299	0.199	0.150	0.123	0.104	0.091	0.072	0.061	0.053	0.031
DDm50-17	400	0.857	0.762	0.693	0.637	0.550	0.487	0.438	0.399	0.265	0.200	0.164	0.139	0.121	0.096	0.081	0.071	0.041
DDm85-13	510	0.839	0.783	0.726	0.679	0.604	0.544	0.496	0.455	0.315	0.243	0.200	0.171	0.149	0.119	0.099	0.085	0.047
DDm85-15	595	0.979	0.913	0.847	0.792	0.705	0.635	0.578	0.531	0.367	0.283	0.234	0.199	0.174	0.138	0.116	0.100	0.055
DDm85-21	850	1.398	1.304	1.209	1.132	1.007	0.907	0.826	0.759	0.525	0.405	0.334	0.284	0.248	0.198	0.166	0.142	0.079
DDm85-25	1020	1.676	1.565	1.451	1.358	1.208	1.089	0.991	0.911	0.630	0.486	0.400	0.341	0.298	0.237	0.199	0.171	0.095
DDm85-27	1105	1.817	1.696	1.572	1.472	1.309	1.179	1.074	0.987	0.682	0.526	0.434	0.370	0.322	0.257	0.215	0.185	0.102
DDm85-33	1360	2.235	2.087	1.935	1.811	1.611	1.452	1.322	1.214	0.840	0.648	0.534	0.455	0.397	0.316	0.265	0.228	0.126
DDm100-21	1000	1.664	1.534	1.426	1.332	1.180	1.062	0.967	0.889	0.617	0.478	0.393	0.334	0.290	0.230	0.193	0.166	0.092
DDm100-25	1200	1.997	1.841	1.712	1.599	1.416	1.274	1.160	1.067	0.740	0.573	0.472	0.401	0.348	0.276	0.232	0.199	0.110
DDm100-27	1300	2.163	1.994	1.854	1.732	1.534	1.380	1.257	1.156	0.802	0.621	0.511	0.434	0.377	0.299	0.251	0.216	0.120
DDm100-33	1600	2.662	2.455	2.282	2.132	1.887	1.699	1.547	1.423	0.987	0.764	0.629	0.534	0.464	0.368	0.309	0.266	0.147
DDm125-25	1500	2.427	2.278	2.132	2.004	1.789	1.614	1.471	1.352	0.927	0.718	0.594	0.507	0.442	0.352	0.297	0.256	0.143
DDm125-27	1625	2.627	2.468	2.310	2.171	1.938	1.748	1.593	1.465	1.004	0.778	0.644	0.549	0.479	0.382	0.321	0.277	0.155
DDm125-33	2000	3.236	3.038	2.843	2.673	2.385	2.151	1.961	1.803	1.236	0.957	0.792	0.676	0.590	0.470	0.395	0.341	0.191

* 8hr Rate to 1.75Vpc at 77°F

Discharge Rates in Kilowatts per Cell to 1.88Vpc at 25°C (77°F)

PowerSafe® DDm Battery Type	Ah* Capacity	Minutes								Hours								
		5	10	15	20	30	40	50	1	2	3	4	5	6	8	10	12	24
DDm35-07	105	0.251	0.217	0.191	0.170	0.141	0.123	0.109	0.097	0.063	0.048	0.039	0.033	0.029	0.023	0.020	0.017	0.010
DDm50-09	200	0.387	0.346	0.316	0.292	0.254	0.225	0.203	0.186	0.125	0.096	0.079	0.067	0.058	0.046	0.039	0.034	0.020
DDm50-13	300	0.580	0.519	0.473	0.437	0.381	0.338	0.305	0.278	0.188	0.143	0.118	0.100	0.087	0.069	0.059	0.052	0.030
DDm50-17	400	0.773	0.692	0.631	0.583	0.508	0.451	0.407	0.371	0.250	0.191	0.157	0.133	0.116	0.092	0.079	0.069	0.040
DDm85-13	510	0.733	0.707	0.658	0.618	0.553	0.501	0.458	0.423	0.295	0.230	0.190	0.163	0.142	0.113	0.095	0.082	0.046
DDm85-15	595	0.855	0.825	0.768	0.721	0.645	0.585	0.535	0.494	0.344	0.269	0.222	0.190	0.165	0.132	0.111	0.095	0.053
DDm85-21	850	1.222	1.179	1.097	1.030	0.922	0.835	0.764	0.705	0.491	0.384	0.317	0.271	0.236	0.189	0.158	0.136	0.076
DDm85-25	1020	1.465	1.414	1.317	1.236	1.106	1.003	0.917	0.847	0.589	0.461	0.381	0.325	0.284	0.227	0.190	0.163	0.091
DDm85-27	1105	1.588	1.532	1.427	1.339	1.198	1.086	0.993	0.917	0.639	0.499	0.413	0.352	0.307	0.245	0.205	0.177	0.099
DDm85-33	1360	1.953	1.886	1.756	1.648	1.475	1.337	1.222	1.129	0.786	0.614	0.508	0.433	0.378	0.302	0.253	0.218	0.122
DDm100-21	1000	1.478	1.396	1.301	1.221	1.089	0.985	0.899	0.830	0.577	0.452	0.374	0.319	0.278	0.222	0.186	0.160	0.089
DDm100-25	1200	1.772	1.675	1.561	1.465	1.307	1.182	1.079	0.996	0.693	0.542	0.448	0.382	0.333	0.266	0.223	0.192	0.107
DDm100-27	1300	1.921	1.815	1.691	1.587	1.416	1.280	1.169	1.079	0.750	0.587	0.486	0.414	0.361	0.288	0.242	0.208	0.116
DDm100-33	1600	2.363	2.233	2.082	1.953	1.743	1.576	1.439	1.328	0.924	0.723	0.598	0.510	0.444	0.355	0.298	0.257	0.143
DDm125-25	1500	2.102	2.046	1.925	1.818	1.633	1.482	1.356	1.249	0.862	0.676	0.561	0.480	0.420	0.337	0.284	0.245	0.139
DDm125-27	1625	2.276	2.216	2.085	1.969	1.769	1.605	1.469	1.353	0.934	0.732	0.608	0.520	0.455	0.365	0.308	0.266	0.150
DDm125-33	2000	2.803	2.728	2.566	2.424	2.178	1.976	1.808	1.665	1.149	0.901	0.748	0.640	0.559	0.449	0.379	0.327	0.185

Discharge Rates in Kilowatts per Cell to 1.90Vpc at 25°C (77°F)

PowerSafe® DDm Battery Type	Ah* Capacity	Minutes								Hours								
		5	10	15	20	30	40	50	1	2	3	4	5	6	8	10	12	24
DDm35-07	105	0.229	0.199	0.175	0.156	0.132	0.115	0.102	0.092	0.059	0.046	0.037	0.032	0.028	0.022	0.019	0.017	0.010
DDm50-09	200	0.354	0.321	0.294	0.272	0.238	0.212	0.192	0.175	0.119	0.092	0.075	0.064	0.056	0.045	0.038	0.033	0.019
DDm50-13	300	0.532	0.482	0.441	0.408	0.357	0.318	0.287	0.263	0.178	0.137	0.113	0.096	0.084	0.067	0.057	0.050	0.029
DDm50-17	400	0.709	0.643	0.587	0.544	0.476	0.424	0.383	0.350	0.238	0.183	0.151	0.128	0.111	0.090	0.076	0.066	0.038
DDm85-13	510	0.661	0.654	0.612	0.575	0.516	0.469	0.431	0.399	0.279	0.220	0.182	0.156	0.136	0.109	0.091	0.079	0.044
DDm85-15	595	0.770	0.763	0.713	0.670	0.602	0.548	0.503	0.466	0.326	0.256	0.212	0.182	0.159	0.127	0.106	0.092	0.052
DDm85-21	850	1.100	1.090	1.019	0.958	0.860	0.782	0.719	0.665	0.465	0.366	0.304	0.259	0.226	0.182	0.152	0.131	0.074
DDm85-25	1020	1.321	1.308	1.223	1.149	1.032	0.939	0.863	0.798	0.559	0.440	0.364	0.311	0.272	0.218	0.183	0.157	0.088
DDm85-27	1105	1.430	1.417	1.325	1.245	1.117	1.017	0.934	0.865	0.605	0.476	0.395	0.337	0.294	0.236	0.198	0.170	0.096
DDm85-33	1360	1.762	1.744	1.631	1.532	1.375	1.252	1.150	1.065	0.745	0.586	0.486	0.415	0.362	0.291	0.243	0.209	0.118
DDm100-21	1000	1.339	1.297	1.213	1.141	1.023	0.928	0.851	0.787	0.548	0.431	0.357	0.305	0.266	0.214	0.180	0.155	0.086
DDm100-25	1200	1.605	1.556	1.455	1.369	1.228	1.114	1.022	0.945	0.658	0.517	0.428	0.366	0.320	0.257	0.215	0.186	0.104
DDm100-27	1300	1.741	1.686	1.576	1.483	1.330	1.207	1.107	1.023	0.712	0.560	0.464	0.396	0.346	0.278	0.233	0.201	0.112
DDm100-33	1600	2.141	2.075	1.940	1.825	1.637	1.485	1.362	1.259	0.877	0.689	0.571	0.488	0.426	0.342	0.287	0.248	0.138
DDm125-25	1500	1.865	1.864	1.778	1.684	1.521	1.386	1.270	1.172	0.813	0.642	0.534	0.457	0.400	0.323	0.272	0.236	0.134
DDm125-27	1625	2.020	2.018	1.926	1.824	1.648	1.501	1.376	1.270	0.881	0.696	0.578	0.495	0.433	0.350	0.295	0.255	0.145
DDm125-33	2000	2.487	2.486	2.371	2.245	2.028	1.847	1.694	1.563	1.085	0.857	0.711	0.609	0.533	0.431	0.363	0.314	0.179

Discharge Rates in Kilowatts per Cell to 1.94Vpc at 25°C (77°F)

PowerSafe® DDm Battery Type	Ah* Capacity	Minutes								Hours								
		5	10	15	20	30	40	50	1	2	3	4	5	6	8	10	12	24
DDm35-07	105	0.179	0.157	0.143	0.131	0.111	0.097	0.087	0.079	0.052	0.040	0.033	0.028	0.025	0.020	0.017	0.015	0.009
DDm50-09	200	0.274	0.267	0.247	0.230	0.202	0.181	0.165	0.152	0.104	0.081	0.067	0.057	0.049	0.041	0.035	0.030	0.017
DDm50-13	300	0.410	0.401	0.370	0.345	0.303	0.271	0.248	0.228	0.156	0.122	0.100	0.085	0.074	0.061	0.052	0.045	0.026
DDm50-17	400	0.547	0.535	0.493	0.459	0.404	0.362	0.331	0.304	0.208	0.162	0.133	0.114	0.099	0.081	0.069	0.060	0.035
DDm85-13	510	0.516	0.516	0.510	0.483	0.436	0.399	0.370	0.343	0.245	0.194	0.161	0.138	0.121	0.097	0.082	0.070	0.040
DDm85-15	595	0.602	0.601	0.595	0.564	0.508	0.465	0.431	0.400	0.286	0.226	0.188	0.161	0.141	0.114	0.095	0.082	0.040
DDm85-21	850	0.860	0.859	0.850	0.805	0.726	0.664	0.616	0.572	0.408	0.323	0.269	0.230	0.201	0.162	0.136	0.117	0.067
DDm85-25	1020	1.032	1.031	1.021	0.966	0.871	0.797	0.739	0.686	0.490	0.388	0.322	0.276	0.242	0.195	0.163	0.140	0.080
DDm85-27	1105	1.117	1.117	1.106	1.047	0.944	0.864	0.801	0.744	0.531	0.420	0.349	0.299	0.262	0.211	0.177	0.152	0.087
DDm85-33	1360	1.376	1.375	1.361	1.289	1.162	1.063	0.986	0.915	0.654	0.517	0.430	0.368	0.322	0.260	0.218	0.187	0.107
DDm100-21	1000	1.055	1.055	1.024	0.970	0.876	0.801	0.742	0.688	0.488	0.384	0.317	0.271	0.237	0.191	0.161	0.138	0.078
DDm100-25	1200	1.267	1.266	1.228	1.164	1.051	0.961	0.890	0.826	0.585	0.460	0.381	0.325	0.284	0.230	0.193	0.166	0.094
DDm100-27	1300	1.372	1.371	1.331	1.261	1.139	1.041	0.965	0.895	0.634	0.499	0.412	0.352	0.308	0.249	0.209	0.180	0.102
DDm100-33	1600	1.690	1.689	1.638	1.552	1.402	1.282	1.187	1.101	0.781	0.614	0.508	0.434	0.379	0.306	0.257	0.221	0.125
DDm125-25	1500	1.466	1.465	1.464	1.404	1.273	1.165	1.079	1.001	0.713	0.564	0.468	0.401	0.353	0.287	0.243	0.210	0.122
DDm125-27	1625	1.589	1.588	1.588	1.520	1.379	1.262	1.169	1.084	0.772	0.611	0.507	0.435	0.382	0.311	0.263	0.227	0.132
DDm125-33	2000	1.954	1.953	1.952	1.871	1.697	1.553	1.439	1.335	0.950	0.752	0.625	0.535	0.470	0.383	0.323	0.280	0.162

* 8hr Rate to 1.75Vpc at 77°F



★ Global Headquarters ★ Regional Headquarters ▲ Manufacturing Facilities ● Sales

Wherever in the world you do business, EnerSys is with you all the way. With large manufacturing plants strategically located throughout Asia, Europe and North and South America, combined with a strong global sales and support team, and backed with a reputation for world-leading technology, our customers benefit through supply reliability, high quality products designed to meeting ever increasing technical requirements, and our commitment to providing the best solution to meeting their Reserve Power needs.

For more information, visit our website at www.enersys.com, or contact an EnerSys Reserve Power sales office.



www.enersys.com

EnerSys
 P.O. Box 14145
 Reading, PA 19612-4145
 USA
 Tel: +1-610-208-1991
 +1-800-538-3627

EnerSys Europe
 Zurich, Switzerland
 Tel: +41 (0) 44 215 74 10

EnerSys Asia
 Singapore
 Tel: +65 6508 1780

Represented by:

Printed in USA
 © 2011 EnerSys. All rights reserved.
 Trademarks and logos are the property of
 EnerSys and its affiliates unless otherwise noted.