


# UNINTERRUPTIBLE POWER SUPPLIES

**UNINTERRUPTED** Peace of Mind

**9900C UPS**  
1050 kVA | 1000 kW

**9900C UPS**  
1050 kVA | 1000 kW



 **MITSUBISHI  
ELECTRIC**  
UNINTERRUPTIBLE POWER SUPPLIES

# MEGAWATT UPS

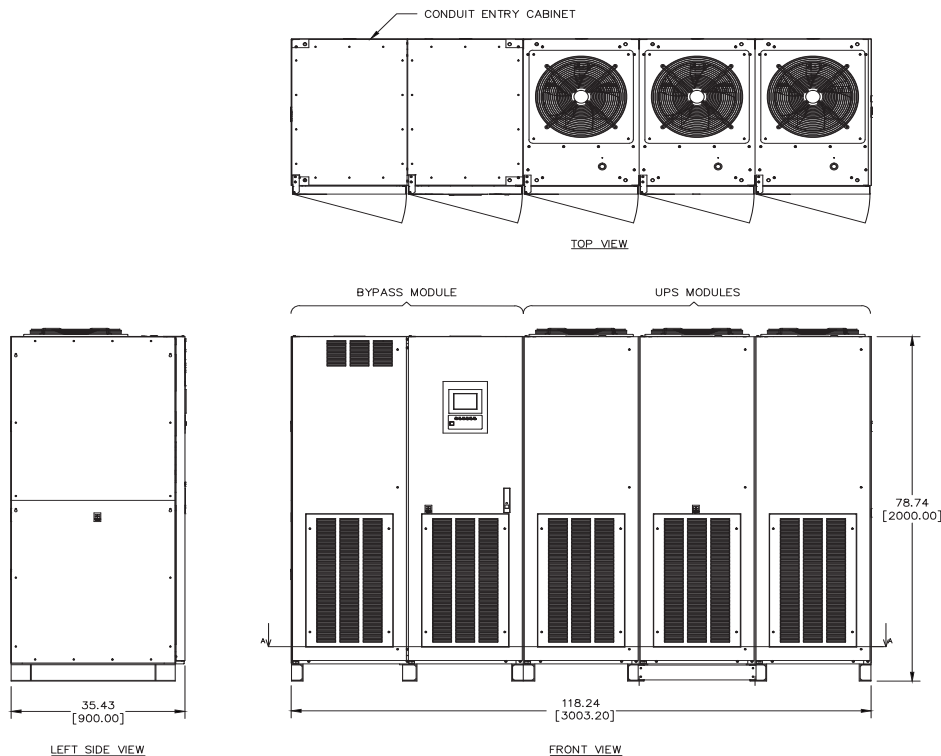
## FOR HIGH DENSITY APPLICATIONS

The new 9900C is an exceptional addition to Mitsubishi's flagship 9900 series UPS family, providing over one megawatt of power in a single UPS. Delivering up to 97% efficiency, it is the first true on-line double conversion UPS at this power level to feature the highest efficiency at all load levels. In addition, it is smaller in size and lighter in weight than competing products. As one of the largest manufacturers of IGBT's in the world, Mitsubishi is able to achieve superior UPS performance and reliability through smarter control of the IGBTs. The 9900C incorporates Digital Signal Processor and Direct Digital Control to realize the full benefits of the latest generation of IGBTs, a reduced total cost of ownership, and improved PUE over conventional UPSs.

### FEATURES & BENEFITS

- Up to 97% efficiency
- Can be paralleled with up to eight units for N+1 redundancy
- The small footprint delivers the highest power density per square foot in the industry
- The three-level conversion design enables an unprecedented 15 year lifetime on capacitors
- Smart phone and tablet compatible; wireless connection
- Three year warranty standard; five year warranty optional
- 3 x 350 kVA modules for capacity (redundant up to 700 kVA)
- LCD touch screen to show measurements, diagrams, text, history, and alarms

### DRAWING



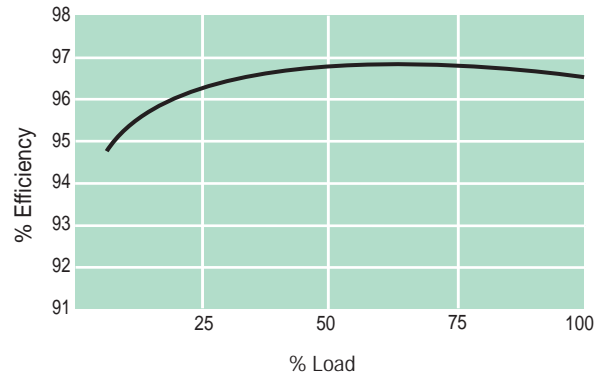
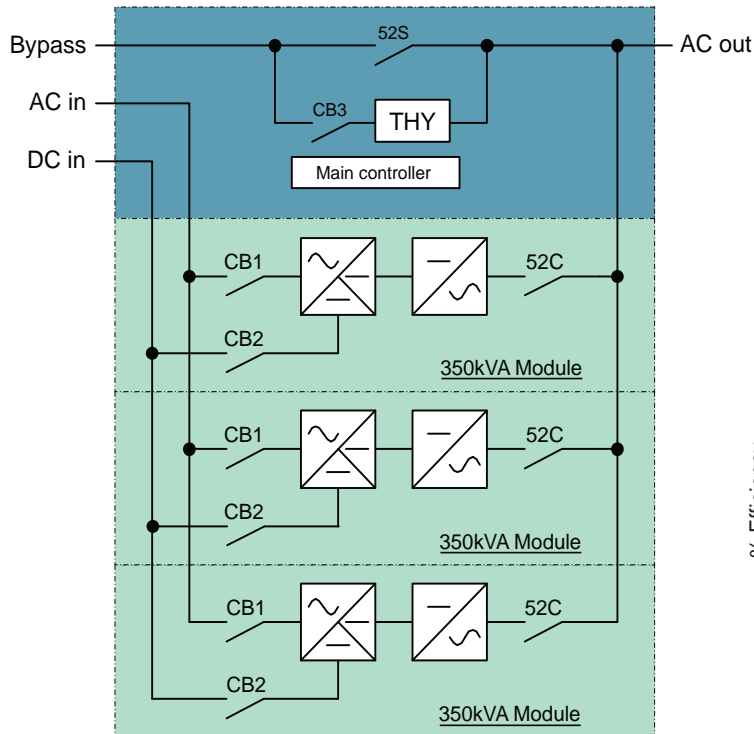
# Reliable Backup Power

## SPECIFICATIONS

|                     |                          |                 |
|---------------------|--------------------------|-----------------|
| AC INPUT            | Configuration            | 3 phase, 3 wire |
|                     | Voltage                  | 480 V           |
|                     | Voltage Range            | +15/-20%        |
|                     | Frequency                | 60 Hz (±10%)    |
|                     | Power Factor             | >0.99 Lagging   |
|                     | Input Current Distortion | < 3%            |
| STATIC BYPASS INPUT | Configuration            | 3 phase, 3 wire |
|                     | Voltage                  | 480 V           |
|                     | Frequency                | 60 Hz ±5%       |
| BATTERY             | Nominal Voltage          | 480 V DC        |
|                     | Minimum Voltage          | 400 V DC        |
|                     | Float Voltage            | Up to 600 V DC  |
|                     | Max Charging Current     | 120 A           |

|           |                            |  |
|-----------|----------------------------|--|
| AC OUTPUT | Configuration              | 3 phase, 3 wire  |
|           | Voltage                    | 480 V  |
|           | Frequency                  | 60 Hz  |
|           | Voltage Adjustment         | ±3%  |
|           | Rated Load Power Factor    | 0.95   |
|           | Voltage Regulation         | ±1%  |
|           | THD (VOUT)                 | 2% max (linear load)<br>5% max (nonlinear load)        |
|           | Voltage Balance            | 1%   |
|           | Voltage Phase Displacement | ±2° (100% balanced load)<br>±3° (100% unbalanced load) |
|           | Step Load                  | ±2% (< 20ms Recovery time)                             |
| GENERAL   | Overload Capacity          | 125% for 10 minutes;<br>150% for 60 seconds            |
|           | Operating Temperature      | 32° F to 104° F (0° C to 40° C)                        |
|           | Relative Humidity          | 5% – 95% Non-Condensing                                |
|           | Altitude                   | 0 to 6500 feet (1980 m)                                |
|           | Audible Noise              | 73 dB @ 1 m 60 Hz                                      |
|           | Efficiency (AC/AC)         | Up to 97%  |
|           | Emergency Power Off        | Included   |
|           | Parallel Capability        | 8 Units (MMS-kit option)                               |
|           | Cable Entry                | Top/Bottom   |
|           | Weight                     | 6600 lb. (3000 kg)                                     |

## SINGLE LINE DIAGRAM



## EFFICIENCY CURVE





### Contact Information

Thorn Hill Industrial Park  
547 Keystone Drive  
Warrendale, PA 15086  
phone: 724.772.2555  
web: www.meppi.com



for a greener tomorrow

Like all other Mitsubishi UPS systems, the 9900C is an online double-conversion system and features Mitsubishi's world-renowned Insulated Gate Bipolar Transistor (IGBT) technology for enhanced UPS performance and reliability. Offering efficiencies up to 97%, the 1050kVA UPS supplies clean, continuous power to data centers and other mission critical equipment while reducing a facility's operating costs and carbon footprint.



Connect with us:



Since 1964, Mitsubishi Electric has manufactured precision-engineered high quality Uninterruptible Power Supplies (UPS) to protect mission critical equipment during times of power instability. Mitsubishi Electric Power Products' UPS systems are unsurpassed in reliability, quality and efficiency. We are dedicated to developing the best UPS systems on the market, and provide unrivaled service for the lifetime of your UPS.

The 9900C UPS is fully supported by Mitsubishi Electric Power Products' 24/7 factory service department, including customer training, application expertise and a three-year parts and labor warranty.

